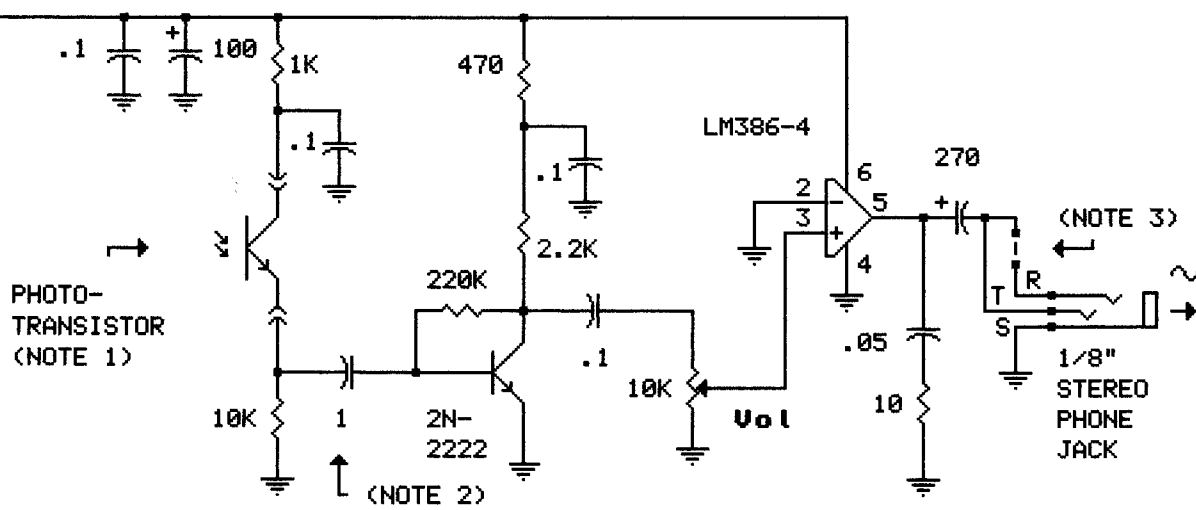


"Photo Listener"

--- + 9 TO 15 VDC



NOTES:

- (1) ALL ELECTRONICS PT-1
- (2) NON-ELECTROLYTIC
- (3) REMOVE JUMPER TO ACCOMODATE TIP/SLEEVE (MONO) PLUG
- (4) CAPACITORS: UF